



US00D996480S

(12) **United States Design Patent**
Ritz et al.

(10) **Patent No.:** **US D996,480 S**

(45) **Date of Patent:** **** Aug. 22, 2023**

- (54) **BORING TOOL**
- (71) Applicant: **Pressio Inc.**, Memphis, TN (US)
- (72) Inventors: **Joseph Paul Ritz**, Castroville, TX (US); **Eric Alberto Marciano**, San Antonio, TX (US); **Daniel Paul Leas**, Huntersville, NC (US)
- (73) Assignee: **Pressio Inc.**, Memphis, TN (US)
- (**) Term: **15 Years**
- (21) Appl. No.: **29/795,846**
- (22) Filed: **Jun. 21, 2021**
- (51) **LOC (14) Cl.** **15-09**
- (52) **U.S. Cl.**
USPC **D15/139**
- (58) **Field of Classification Search**
USPC D15/131, 132, 138, 139; D8/20, 68, 70, D8/86; D24/107, 133, 146, 171
CPC A61B 17/1615; A61B 17/1668; A61B 17/1697
See application file for complete search history.

8,211,109	B2	7/2012	Groiso
8,343,194	B2	1/2013	Alfatoon
8,372,075	B2	2/2013	Groiso
8,475,493	B2	7/2013	Bender
8,584,853	B2	11/2013	Knight
8,721,646	B2	5/2014	Fox
8,801,753	B2	8/2014	Bender
8,864,764	B2	10/2014	Groiso
8,979,927	B2	3/2015	Huntsman
9,017,331	B2	4/2015	Fox
9,101,349	B2	8/2015	Knight
9,204,932	B2	12/2015	Knight
9,295,463	B2	3/2016	Viola
9,339,268	B2	5/2016	Fox
9,451,955	B2	9/2016	Fox
9,451,957	B2	9/2016	Fox
9,468,436	B2	10/2016	Groiso
9,649,108	B2	5/2017	Weinstein
9,700,362	B2	7/2017	Knight
9,743,926	B2	8/2017	Fox

(Continued)

Primary Examiner — Michael C Stout
Assistant Examiner — Fritzgerald L Butac
 (74) *Attorney, Agent, or Firm* — Morris, Manning & Martin, LLP; Daniel E. Sineway, Esq.; Adam J. Thompson, Esq.

(57) **CLAIM**

The ornamental design for a boring tool, as shown and described.

DESCRIPTION

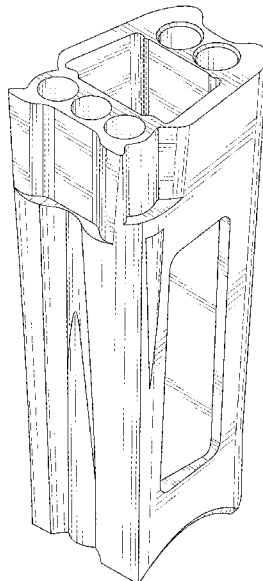
FIG. 1 is a top, rear, left perspective view of a boring tool, according to the new design;
 FIG. 2 is a left side elevation view thereof;
 FIG. 3 is a right side elevation view thereof;
 FIG. 4 is a front elevation view thereof;
 FIG. 5 is a rear elevation view thereof;
 FIG. 6 is a top plan view thereof; and,
 FIG. 7 is a bottom plan view thereof.

1 Claim, 6 Drawing Sheets

(56) **References Cited**

U.S. PATENT DOCUMENTS

2,544,492	A	3/1951	Downing	
4,438,769	A	3/1984	Pratt	
D397,436	S *	8/1998	Michelson	D24/135
D399,561	S *	10/1998	Ellingson	D24/170
6,325,805	B1	12/2001	Ogilvie	
6,336,928	B1	1/2002	Guerin	
D485,148	S *	1/2004	Chen	D8/68
6,966,911	B2	11/2005	Groiso	
7,618,441	B2	11/2009	Groiso	
7,635,367	B2	12/2009	Groiso	
7,942,301	B2	5/2011	Sater	
8,021,389	B2	9/2011	Molz, IV	
8,062,297	B2	11/2011	Faillace	



(56)

References Cited

U.S. PATENT DOCUMENTS

D806,147	S *	12/2017	Inkster	D15/131	2010/0063506	A1	3/2010	Fox
9,839,458	B2	12/2017	Bouduban		2011/0022099	A1	1/2011	Ashman
9,855,036	B2	1/2018	Palmer		2011/0118842	A1	5/2011	Bernard
10,010,320	B2	7/2018	Wahl		2011/0297732	A1	12/2011	Molz, IV
10,058,366	B2	8/2018	Bouduban		2013/0206815	A1	8/2013	Fox
10,117,647	B2	11/2018	Cheney		2013/0231667	A1	9/2013	Taylor
10,285,743	B2	5/2019	Bouduban		2014/0214037	A1	7/2014	Mayer
D851,762	S *	6/2019	Shelton, IV	D24/145	2014/0276830	A1	9/2014	Cheney
10,368,860	B2	8/2019	Nering		2014/0276881	A1	9/2014	Taylor
10,512,459	B2	12/2019	Fox		2014/0309639	A1	10/2014	Averous
D878,585	S *	3/2020	Garcia	D24/158	2014/0358187	A1	12/2014	Taber
D895,113	S *	9/2020	Blair	D24/145	2015/0230839	A1	8/2015	Riccione
10,779,816	B2	9/2020	Goldstein		2015/0313592	A1	11/2015	Coillard-Lavirotte
10,820,902	B2	11/2020	Cheney		2016/0135808	A1	5/2016	Anderson
10,842,487	B2	11/2020	Ritz		2016/0287230	A1	10/2016	Hausen
D910,848	S *	2/2021	Garcia	D24/145	2017/0020537	A1	1/2017	Tuten
10,918,484	B2	2/2021	Ellington		2017/0209193	A1	7/2017	Hartdegen
10,987,101	B2	4/2021	Ducharme		2010/7021587		8/2017	Weinstein
11,006,949	B2	5/2021	Daniel		2018/0008263	A1	1/2018	Goldstein
11,020,110	B1	6/2021	Blair		2018/0071001	A1	3/2018	McIff
11,033,311	B2	6/2021	McIff		2018/0289366	A1	10/2018	Morgan
11,045,190	B1	6/2021	Anakwenze		2018/0353172	A1	12/2018	Hartdegen
D938,029	S *	12/2021	Campbell	D24/145	2019/0105040	A1	4/2019	Gordon
D957,636	S *	7/2022	Blair	D24/155	2019/0357951	A1	11/2019	Rogers
2002/0107575	A1	8/2002	Metz-Stavenhagen		2020/0000465	A1	1/2020	Maclure
2005/0021035	A1	1/2005	Groiso		2020/0038076	A1	2/2020	Amis
2006/0058802	A1	3/2006	Kofoed		2020/0138433	A1	5/2020	Fox
2007/0093839	A1	4/2007	Beckendorf		2020/0146668	A1	5/2020	Krumme
2007/0233187	A1	10/2007	Lobello		2020/0214701	A1	7/2020	Wahl
2008/0065153	A1	3/2008	Allard		2020/0229813	A1	7/2020	Seykora
2008/0065154	A1	3/2008	Allard		2020/0281633	A1	9/2020	Rogers
2008/0262541	A1	10/2008	Sater		2020/0375594	A1	12/2020	Goldstein
2008/0269803	A1	10/2008	Sater		2020/0375639	A1	12/2020	Rogers
2008/0319443	A1	12/2008	Focht		2020/0383684	A1	12/2020	Weinstein
2009/0131984	A1	5/2009	Linares		2021/0068822	A1	3/2021	Wahl
					2021/0128145	A1	5/2021	Taylor
					2021/0161671	A1	6/2021	Ellington

* cited by examiner

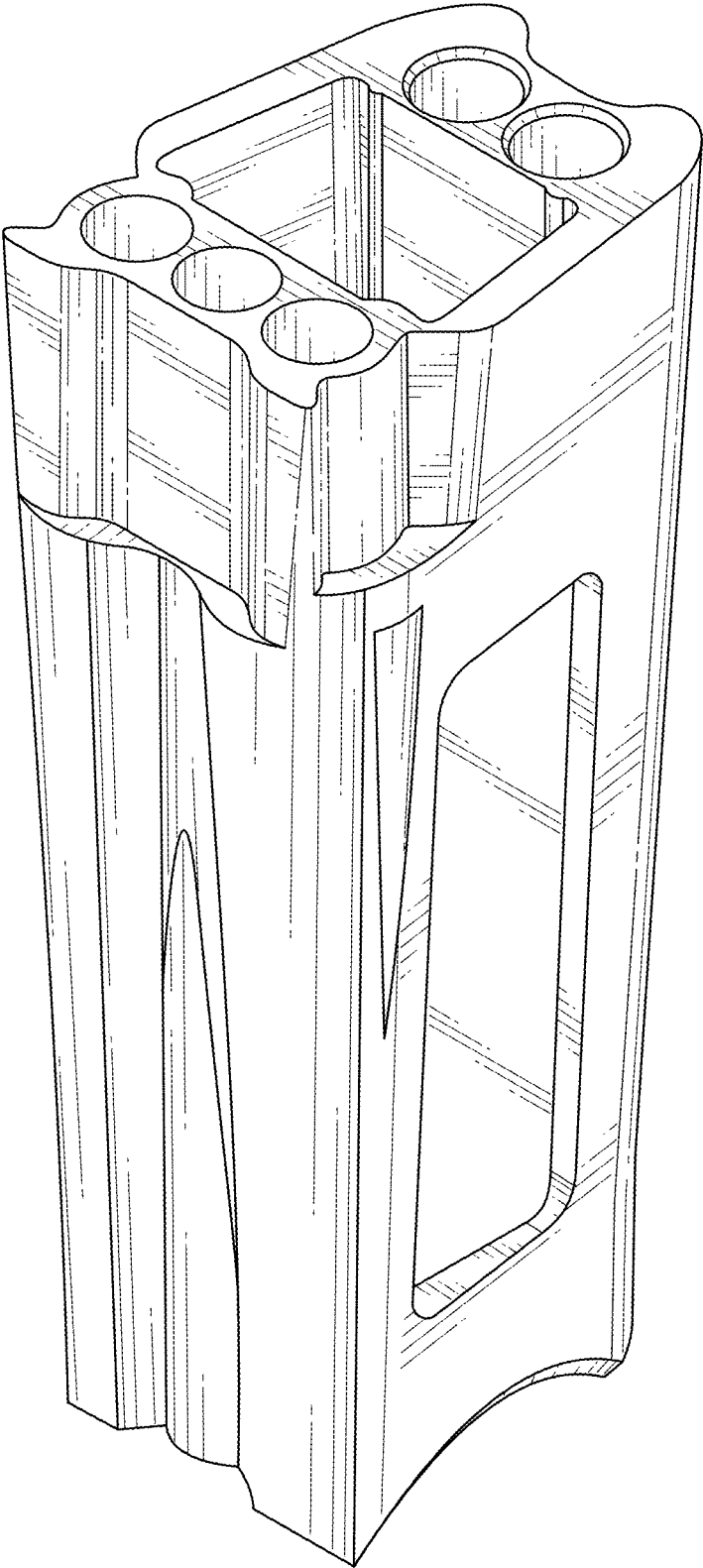


FIG. 1

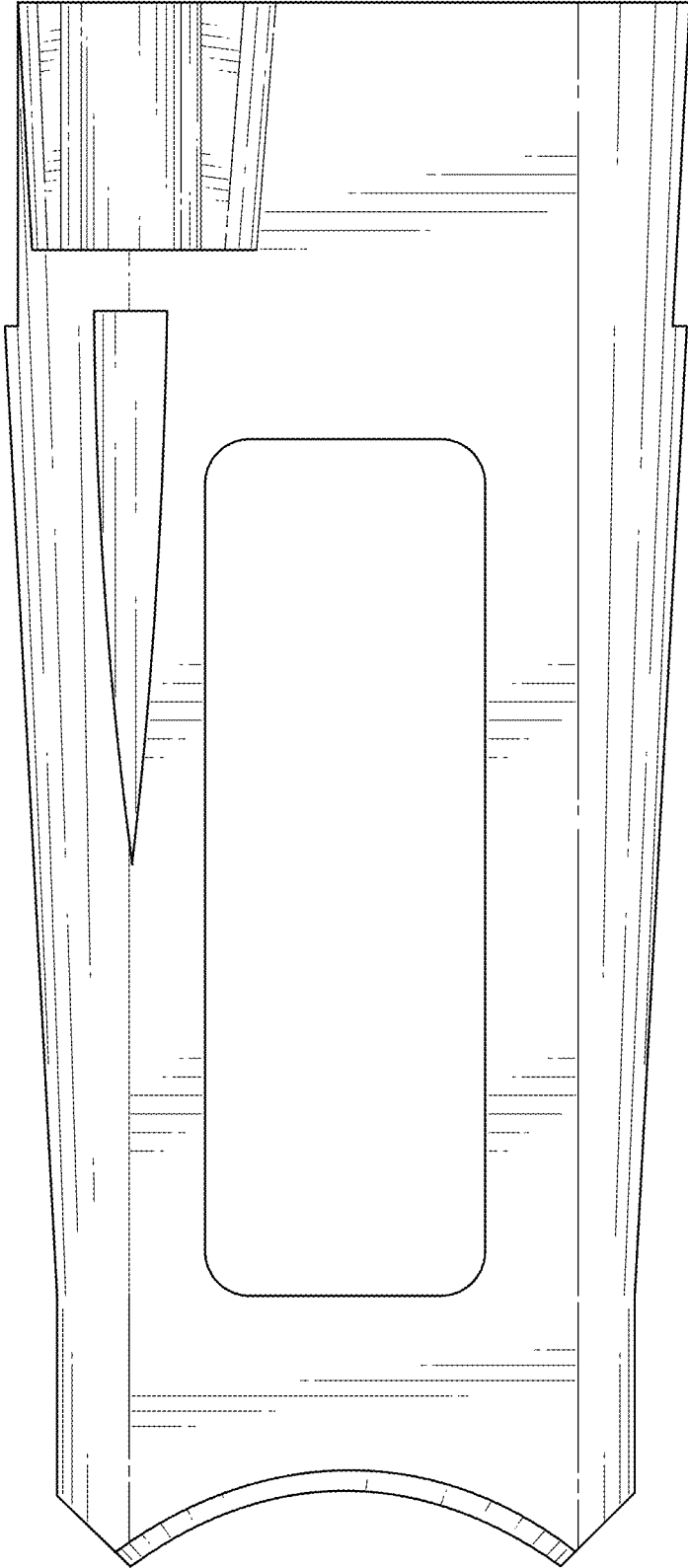


FIG. 2

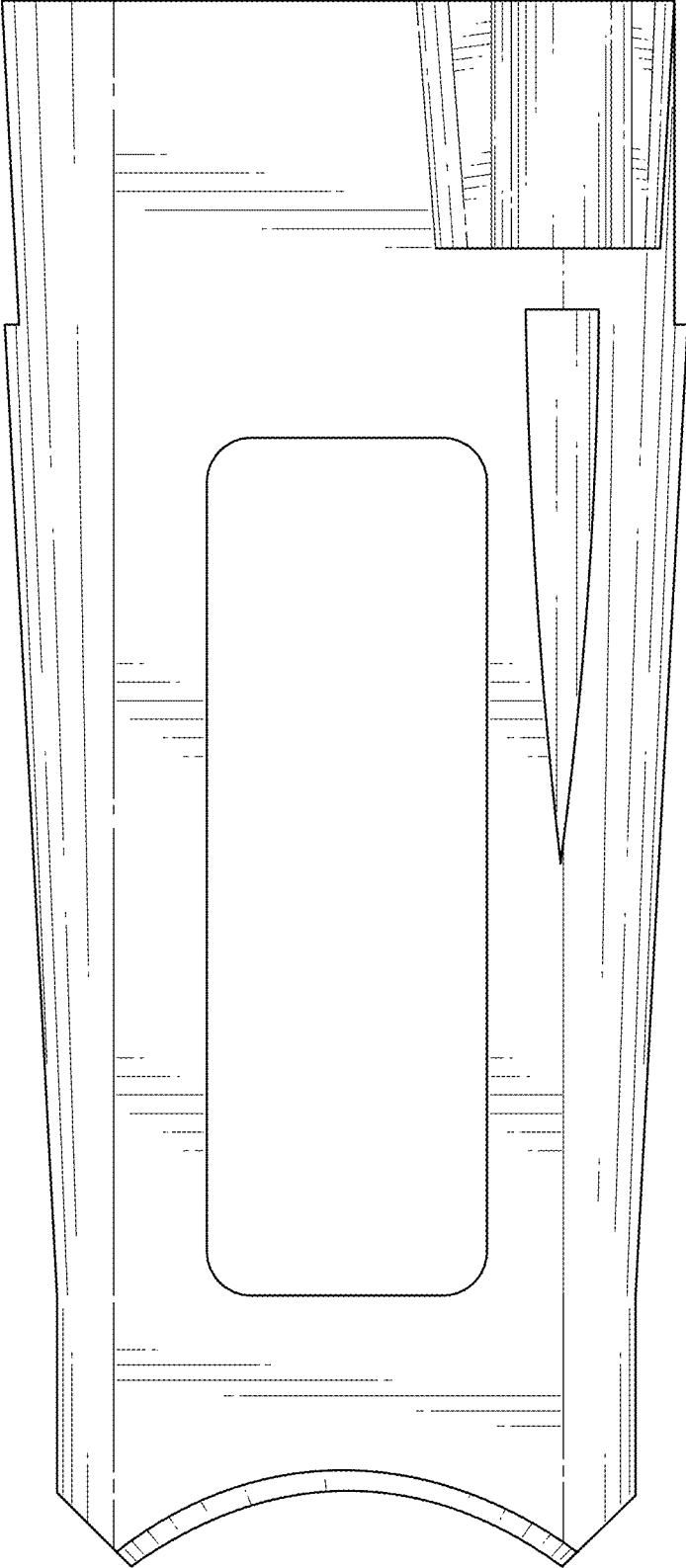


FIG. 3

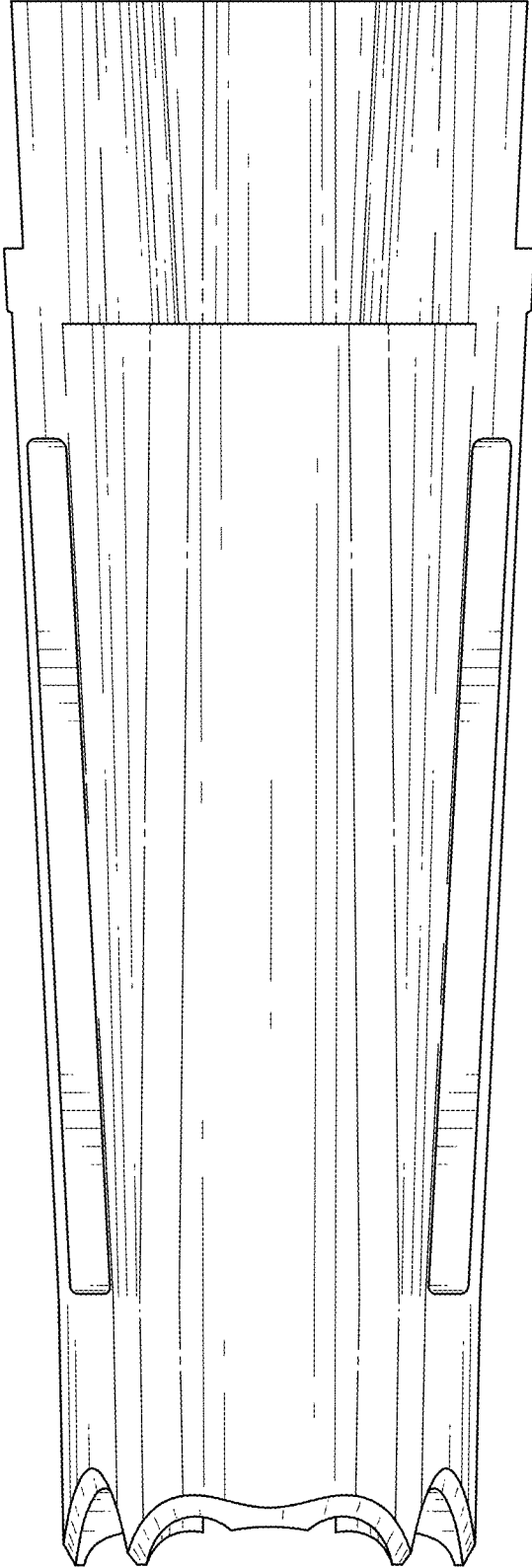


FIG. 4

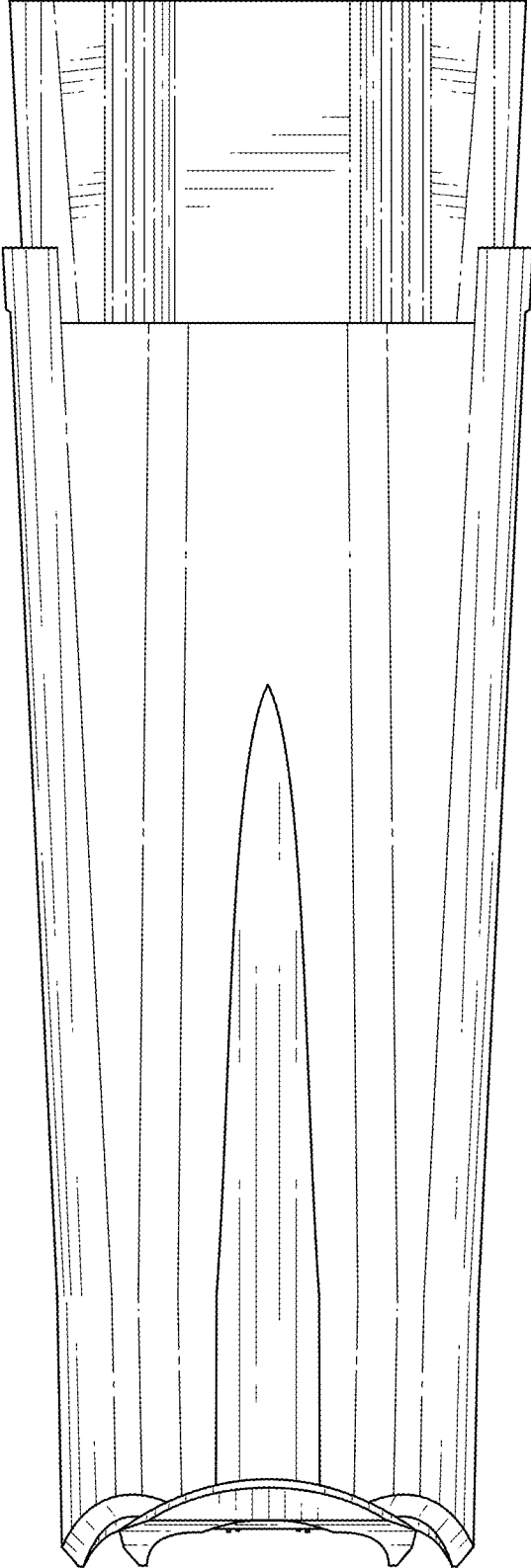


FIG. 5

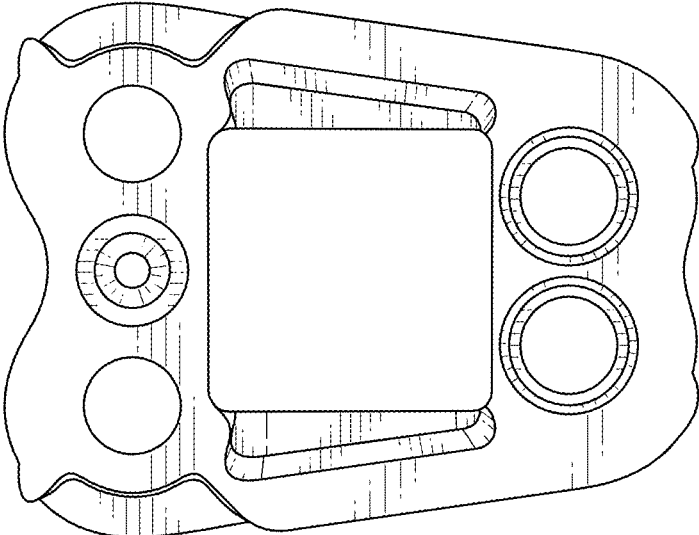


FIG. 6

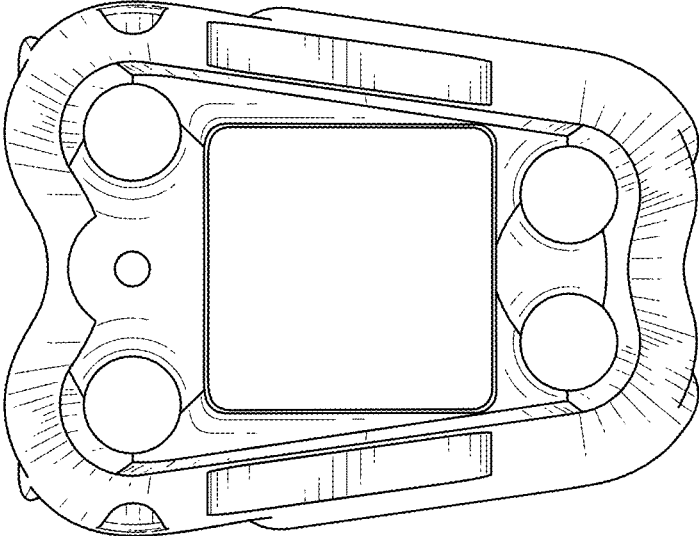


FIG. 7